



GLSF(RL) EXT



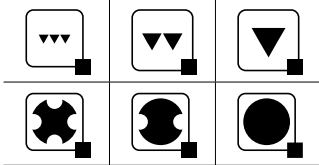
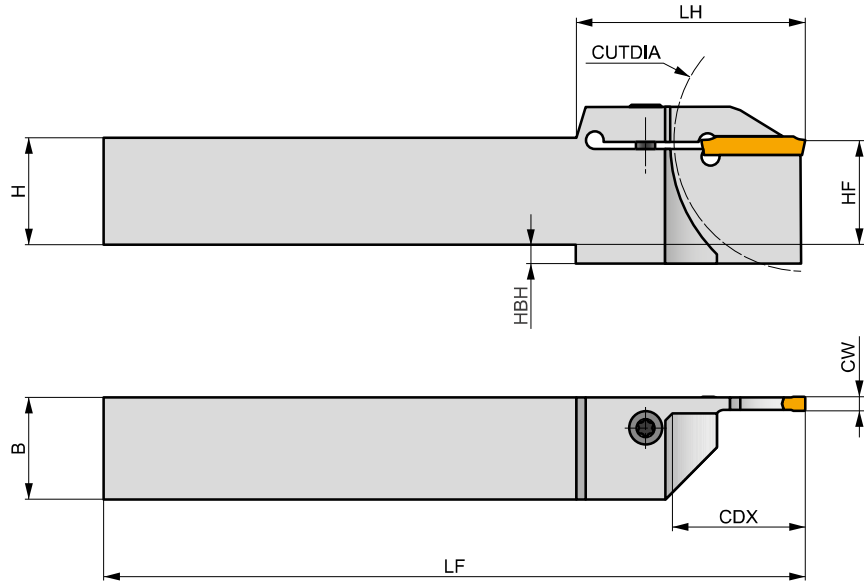
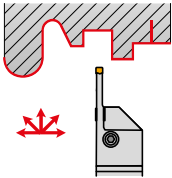
PRAMET

G



Nóż do rowkowania i przecinania na płytce GL

Zewnętrzny prawo/lewokierunkowy nóż tokarski na płytce GL. Przeznaczony do rowkowania promieniowego, przecinania, toczenia i profilowania. Wzmocniona konstrukcja korpusu zapewnia większą trwałość narzędzia i małe drgania. Korpus poddany obróbce cieplnej zapewnia dłuższą trwałość narzędzia.



Produkt	HF	HBH	H	B	LF	LH	CW	CDX	CUTDIA	kg		
	(mm)	(mm)	(mm)	(mm)	(mm)	(mm)	(mm)	(mm)	(mm)			
GL1-S2020KFR-16-60 NEW	20	-	20	20	125	34.2	1.50	16	60	0.35	G1333	GL11
GL2-S2020KFR-20-80	20	-	20	20	125	43.5	2.00	20	80	0.38	G1334	GL11
GL2-S2020KFR-24-80	20	5	20	20	125	48.5	2.00	24	80	0.36	G1334	GL11
GL2-S2525MFR-20-80	25	-	25	25	150	43.5	2.00	20	80	0.68	G1334	GL11
GL2-S2525MFR-24-80	25	-	25	25	150	47.5	2.00	24	80	0.64	G1334	GL11
GL3-S2020KFR-20-80	20	-	20	20	125	43.5	3.00	20	80	0.38	G1335	GL11
GL3-S2020KFR-24-80	20	5	20	20	125	47.5	3.00	24	80	0.36	G1335	GL11
GL3-S2525MFR-20-80	25	-	25	25	150	43.5	3.00	20	80	0.68	G1335	GL11
GL3-S2525MFR-24-80	25	-	25	25	150	47.5	3.00	24	80	0.65	G1335	GL11
GL3-S2525PFR-32-80	25	5	25	25	170	55.5	3.00	32	80	0.72	G1335	GL11
GL4-S2020KFR-20-80	20	-	20	20	125	43.5	4.00	20	80	0.38	G1336	GL11
GL4-S2020KFR-24-80	20	5	20	20	125	47.5	4.00	24	80	0.37	G1336	GL11
GL4-S2525MFR-20-80	25	-	25	25	150	43.5	4.00	20	80	0.68	G1336	GL11
GL4-S2525MFR-24-80	25	-	25	25	150	47.5	4.00	24	80	0.65	G1336	GL11
GL4-S2525PFR-32-80	25	5	25	25	170	55.5	4.00	32	80	0.78	G1336	GL11
GL5-S2020KFR-20-80	20	-	20	20	125	43.5	5.00	20	80	0.38	G1337	GL11
GL5-S2525MFR-20-80	25	-	25	25	150	43.5	5.00	20	80	0.68	G1337	GL11
GL5-S2525PFR-32-100	25	5	25	25	170	55.5	5.00	32	100	0.75	G1337	GL11
GL6-S2020KFR-20-80	20	-	20	20	125	43.5	6.00	20	80	0.39	G1338-1	GL11
GL6-S2525MFR-20-80	25	-	25	25	150	43.5	6.00	20	80	0.68	G1338-1	GL11
GL6-S2525PFR-32-100	25	5	25	25	170	55.5	6.00	32	100	0.75	G1338	GL11
GL1-S2020KFL-16-60 NEW	20	-	20	20	125	34.2	1.50	16	60	0.35	G1333	GL11
GL2-S2020KFL-20-80	20	-	20	20	125	43.5	2.00	20	80	0.38	G1334	GL11
GL2-S2020KFL-24-80	20	5	20	20	125	47.5	2.00	24	80	0.36	G1334	GL11
GL2-S2525MFL-20-80	25	-	25	25	150	43.5	2.00	20	80	0.70	G1334	GL11
GL2-S2525MFL-24-80	25	-	25	25	150	47.5	2.00	24	80	0.64	G1334	GL11
GL3-S2020KFL-20-80	20	-	20	20	125	43.5	3.00	20	80	0.38	G1335	GL11



Produkt	HF	HBH	H	B	LF	LH	CW	CDX	CUTDIA	kg		
	(mm)	(mm)	(mm)	(mm)	(mm)	(mm)	(mm)	(mm)	(mm)			
GL3-S2020KFL-24-80	20	5	20	20	125	47.5	3.00	24	80	0.36	GI335	GL11
GL3-S2525MFL-20-80	25	–	25	25	150	43.5	3.00	20	80	0.68	GI335	GL11
GL3-S2525MFL-24-80	25	–	25	25	150	47.5	3.00	24	80	0.65	GI335	GL11
GL3-S2525PFL-32-80	25	5	25	25	170	55.5	3.00	32	80	0.78	GI335	GL11
GL4-S2020KFL-20-80	20	–	20	20	125	43.5	4.00	20	80	0.38	GI336	GL11
GL4-S2020KFL-24-80	20	5	20	20	125	47.5	4.00	24	80	0.37	GI336	GL11
GL4-S2525MFL-20-80	25	–	25	25	150	43.5	4.00	20	80	0.68	GI336	GL11
GL4-S2525MFL-24-80	25	–	25	25	150	47.5	4.00	24	80	0.65	GI336	GL11
GL4-S2525PFL-32-80	25	5	25	25	170	55.5	4.00	32	80	0.72	GI336	GL11
GL5-S2020KFL-20-80	20	–	20	20	125	43.5	5.00	20	80	0.38	GI337	GL11
GL5-S2525MFL-20-80	25	–	25	25	150	43.5	5.00	20	80	0.71	GI337	GL11
GL5-S2525PFL-32-100	25	5	25	25	170	55.5	5.00	32	100	0.75	GI337	GL11
GL6-S2020KFL-20-80	20	–	20	20	125	43.5	6.00	20	80	0.39	GI338-1	GL11
GL6-S2525MFL-20-80	25	–	25	25	150	43.5	6.00	20	80	0.71	GI338-1	GL11
GL6-S2525PFL-32-100	25	5	25	25	170	55.5	6.00	32	100	0.75	GI338	GL11

GI333	GL1..	–
GI334	GL2..	–
GI335	GL3..	–
GI336	GL4..	–
GI337	GL5..	–
GI338	GL6-D600..	GL6-D800..
GI338_1	GL6-D600..	–

Głębokości skrawania na średnicy obrabianej podano na stronie 44.

GL11	US 5018-T20P	5.0	M 5	18.2	LK T20P