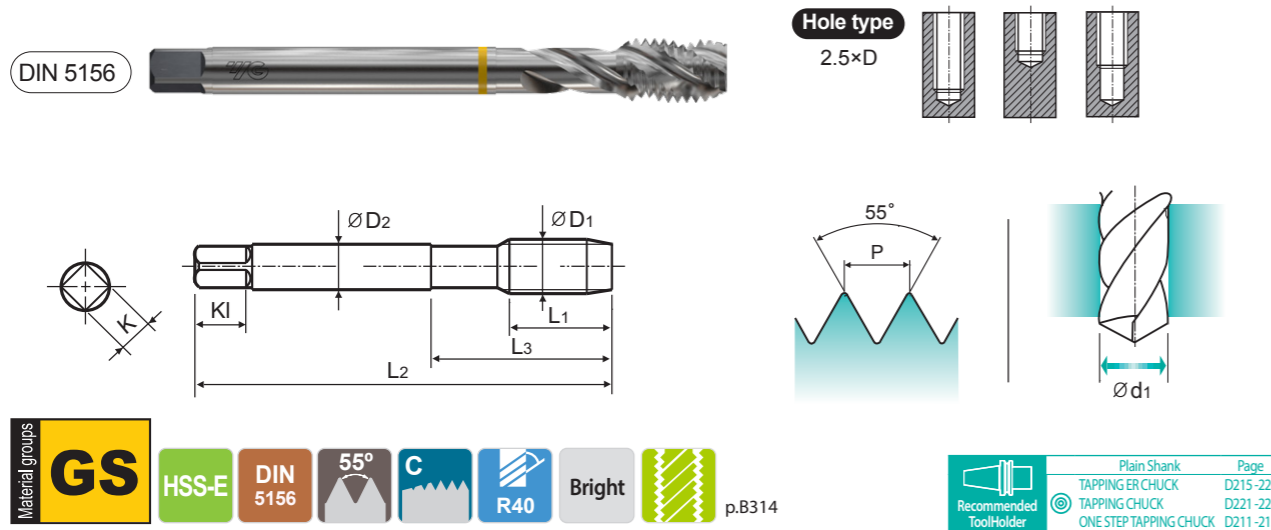


# YG PIPE TAPS

## TC728 SERIES

**G(BSP)** Whitworth pipe threads DIN ISO 228/1  
 Whitworth Rohrgewinde DIN ISO 228/1  
 G(BSP) PROFIL 55° DIN ISO 228/1  
 Filettatura Whitworth per tubi DIN ISO 228/1  
 Machine taps  
 Maschinengewindebohrer

► Suitable for tapping blind holes due to special flute geometry and excellent chip evacuation.   
 ► Geeignet zum Gewinden von Sacklöchern dank besonderer Nutengeometrie und ausgezeichneter Spanabfuhr.



Recommended Cutting Page : P.306 Unit : mm

SIZE	TPI	EDP No.	Thread Length	Overall Length	Neck Length	Shank Diameter	Square Size	Square Length	No. of Flute	Tapping Drill Diameter
ØD1		Bright	L1	L2	L3	ØD2	K	KI	Z	Ød1
G1/8 - 28		TC728200	20	90	36	7	5.5	8	3	8.8
G1/4 - 19		TC728400	22	100	40	11	9	12	3	11.8
G3/8 - 19		TC728480	22	100	40	12	9	12	3	15.25
G1/2 - 14		TC728560	25	125	50	16	12	15	4	19
G3/4 - 14		TC728700	28	140	54	20	16	19	4	24.5
G1 - 11		TC728780	30	160	60	25	20	23	4	30.75

◎ : Excellent ○ : Good

ISO	P										M				K					
	Non-alloy steel					Low alloy steel					High alloyed steel, and tool steel				Stainless steel		Grey cast iron	Nodular cast iron		Malleable cast iron
VDI 3323	1	2	3	4	5	6	7	8	9	10	11	12	13	14	15	16	17	18	19	20
HRc	13	25	28	32	38	10	29	32	38	15	35	15	23	10	10	26	3	25	21	
HB	125	190	250	270	300	180	275	300	350	200	325	200	240	180	260	160	250	130	230	
Recommended	◎	◎	◎	◎	◎	◎	◎	◎	◎	◎	◎	◎	◎	◎	◎	◎	◎	◎	◎	◎

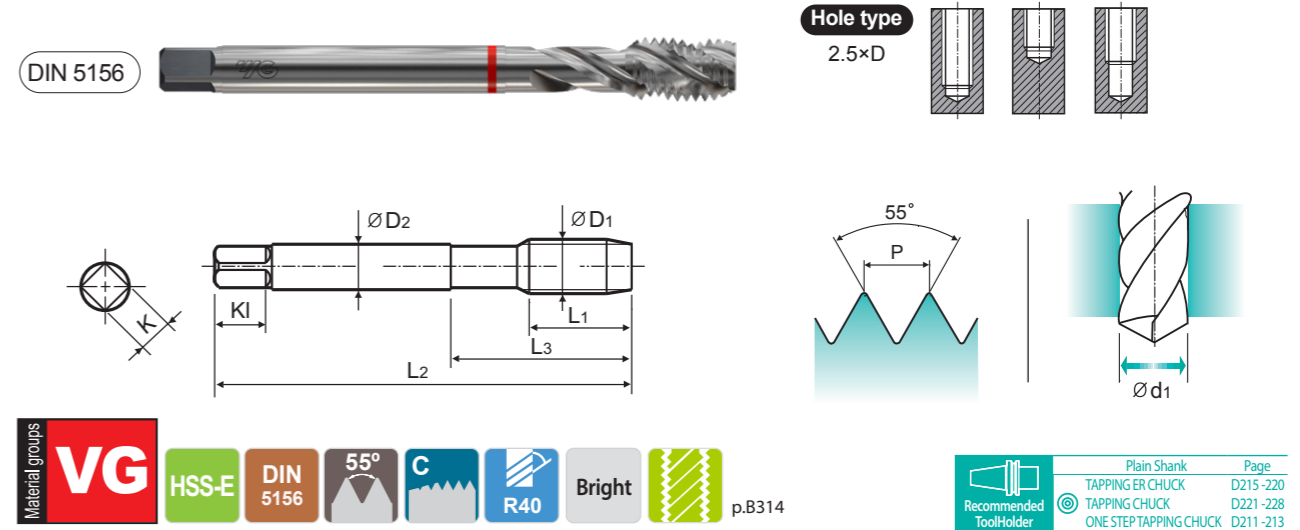
ISO	N					S					H										
	Aluminum-wrought alloy		Aluminum-cast, alloyed			Copper and Copper Alloys (Bronze / Brass)			Non Metallic Materials		Heat Resistant Super Alloys					Titanium Alloys		Hardened steel	Chilled Cast Iron	Hardened Cast Iron	
VDI 3323	21	22	23	24	25	26	27	28	29	30	31	32	33	34	35	36	37	38	39	40	41
HRc											15	30	25	38	34			55	60	42	55
HB	60	100	75	90	130	110	90	100			200	280	250	350	320	400Rm	1050Rm	550	630	400	550
Recommended	○	○	○	○	◎	◎	◎	◎	◎	◎	◎	◎	◎	◎	◎	◎	◎	◎	◎	◎	◎

# YG PIPE TAPS

## TC729 SERIES

**G(BSP)** Whitworth pipe threads DIN ISO 228/1  
 Whitworth Rohrgewinde DIN ISO 228/1  
 G(BSP) PROFIL 55° DIN ISO 228/1  
 Filettatura Whitworth per tubi DIN ISO 228/1  
 Machine taps  
 Maschinengewindebohrer

► Suitable for tapping blind holes due to special flute geometry and excellent chip evacuation.   
 ► Geeignet zum Gewinden von Sacklöchern dank besonderer Nutengeometrie und ausgezeichneter Spanabfuhr.



Recommended Cutting Page : P.306 Unit : mm

SIZE	TPI	EDP No.	Thread Length	Overall Length	Neck Length	Shank Diameter	Square Size	Square Length	No. of Flute	Tapping Drill Diameter
ØD1		Bright	L1	L2	L3	ØD2	K	KI	Z	Ød1
G1/8 - 28		TC729200	20	90	36	7	5.5	8	3	8.8
G1/4 - 19		TC729400	22	100	40	11	9	12	3	11.8
G3/8 - 19		TC729480	22	100	40	12	9	12	3	15.25
G1/2 - 14		TC729560	25	125	50	16	12	15	4	19
G3/4 - 14		TC729700	28	140	54	20	16	19	4	24.5
G1 - 11		TC729780	30	160	60	25	20	23	4	30.75

◎ : Excellent ○ : Good

ISO	P										M				K					
	Non-alloy steel					Low alloy steel					High alloyed steel, and tool steel				Stainless steel		Grey cast iron	Nodular cast iron		Malleable cast iron
VDI 3323	1	2	3	4	5	6	7	8	9	10	11	12	13	14	15	16	17	18	19	20
HRc	13	25	28	32	38	10	29	32	38	15	35	15	23	10	10	26	3	25	21	
HB	125	190	250	270	300	180	275	300	350	200	325	200	240	180	260	160	250	130	230	
Recommended	◎	◎	◎	◎	◎	◎	◎	◎	◎	◎	◎	◎	◎	◎	◎	◎	◎	◎	◎	◎

ISO	N					S					H										
	Aluminum-wrought alloy		Aluminum-cast, alloyed			Copper and Copper Alloys (Bronze / Brass)			Non Metallic Materials		Heat Resistant Super Alloys					Titanium Alloys		Hardened steel	Chilled Cast Iron	Hardened Cast Iron	
VDI 3323	21	22	23	24	25	26	27	28	29	30	31	32	33	34	35	36	37	38	39	40	41
HRc											15	30	25	38	34			55	60	42	55
HB	60	100	75	90	130	110	90	100			200	280	250	350	320	400Rm	1050Rm	550	630	400	550
Recommended	○	○	○	○	◎	◎	◎	◎	◎	◎	◎	◎	◎	◎	◎	◎	◎	◎	◎	◎	◎