

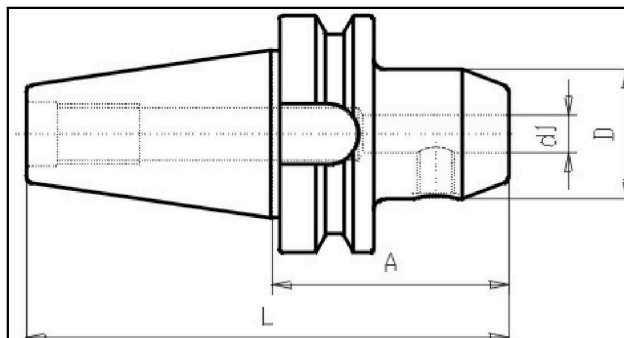
# MAS-BT - End Mill Holder WELDON - BT50 G6,3/15.000 rpm



## Illustration



## Drawing



## Technical information

<b>Usage:</b>	For milling-tools with zylindrical shaft type Weldon DIN 1835 Form B. Suitable for central coolant flow
<b>Scope of delivery:</b>	with 1 clamping screw, from Dia 25mm with 2 screws
<b>Accuracy:</b>	Runout 15µm max. a 3 x d. Due to the eccentric grinding of the bores, the run-out can only be checked by inserting a qualified tool blank. Do NOT measure bore ! (see technical information)
<b>Customs tariff code:</b>	84 661 02 0
<b>Coolant supply:</b>	Central
<b>Balanced:</b>	G6,3 15.000 rpm / fine-balancing on grade G2,5 and/or higher rotations is possible with uplift price

## Variants

Product No.	BT	d1	A	Form	L	D	weight in kg
G420 50x 6x 63	50	6	63	AD	165	25	3,7
G420 50x 6x100	50	6	100	AD	202	25	
G420 50x 6x160	50	6	160	AD	262	25	4,05
G420 50x 8x 63	50	8	63	AD	165	28	3,75
G420 50x 8x100	50	8	100	AD	202	28	
G420 50x 8x160	50	8	160	AD	262	28	4,2
G420 50x10x 63	50	10	63	AD	165	35	3,8
G420 50x10x100	50	10	100	AD	202	35	3,8
G420 50x10x160	50	10	160	AD	262	35	4,45
G420 50x10x200	50	10	200	AD	302	35	--

MAS-BT - End Mill Holder WELDON - BT50 G6,3/15.000 rpm

G420 50x12x 80	50	12	80	AD	182	42	4,05
G420 50x12x100	50	12	100	AD	202	42	--
G420 50x12x160	50	12	160	AD	262	42	4,85
G420 50x14x 80	50	14	80	AD	182	42	3,95
G420 50x14x160	50	14	160	AD	262	42	--
G420 50x14x200	50	14	200	AD	302	42	--
G420 50x16x 80	50	16	80	AD	182	48	4,1
G420 50x16x100	50	16	100	AD	202	48	3,8
G420 50x16x160	50	16	160	AD	262	48	4,7
G420 50x16x200	50	16	200	AD	302	48	--
G420 50x18x 80	50	18	80	AD	182	48	4,05
G420 50x18x160	50	18	160	AD	262	48	3,5
G420 50x18x200	50	18	200	AD	302	48	--
G420 50x20x 80	50	20	80	AD	182	52	4,15
G420 50x20x100	50	20	100	AD	202	52	
G420 50x20x160	50	20	160	AD	262	52	4,7
G420 50x20x200	50	20	200	AD	302	52	--
G420 50x22x 80	50	22	80	AD	182	52	--
G420 50x25x 40	50	25	40	AD	142	63	--
G420 50x25x100	50	25	100	AD	202	63	4,9
G420 50x25x160	50	25	160	AD	262	65	6,3
G420 50x25x200	50	25	200	AD	302	65	--
G420 50x32x105	50	32	105	AD	207	70	5,2
G420 50x32x160	50	32	160	AD	262	72	6,85
G420 50x32x200	50	32	200	AD	302	72	3,8
G420 50x40x120	50	40	120	AD	222	80	6