

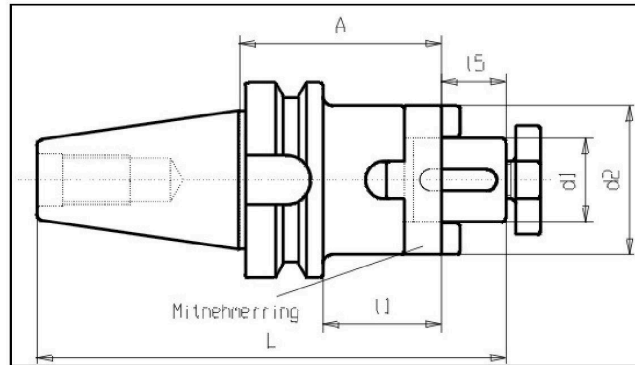
# MAS-BT - Combi Shell Mill Holder - BT30



## Illustration



## Drawing



## Technical information

<b>Usage:</b>	For mounting of milling cutters with tenon drive or clutch drive
<b>Scope of delivery:</b>	With clamping screw DIN 6367, drive ring DIN 6366 and feather key.
<b>Accuracy:</b>	Runout of taper to journal 8µm max.
<b>Customs tariff code:</b>	84 661 02 0

## Variants

Product No.	BT	d1	A	l1	Form	l5	d2	L	weight in kg
G440 30x13x 45	30	13	45	22	A	12	28	105	0,55
G440 30x16x 45	30	16	45	27	A	17	32	110	0,75
G440 30x22x 47	30	22	47	31	A	19	40	114	0,75
G440 30x27x 49	30	27	49	33	A	21	48	118	0,9